

FIVC Ball Valve

Grey Cast Iron – PN 16 – EN 1092-2



FBA series

Technical data

Main features and materials

- Body: Grey Cast Iron
- Gasket: Stainless Steel+Graphite
- Seat: PTFE
- Ball: Stainless Steel
- Stem: Stainless Steel
- Handle: Ductile Iron
- USP: Compact settlement
- Standard: DIN 2501/DIN 2533
API 598 or ISO 5208
DN 65-100: DIN F4
DN 125-300: DIN F5

Field of applications

- Temperature range: -10 to 120 °C
- Max. working pressure: 16 bar

- Petrochemical industry
- Irrigation systems
- Mining and infrastructure industries
- Shipyard industry
- Compressed air
- Textile industry
- Mechanical industry
- Other various industries

Description

The FIVC Ball Valve is designed as a quarter-turn, full port valve to be installed in pipelines for isolating purposes.

Benefits of using ball valves include among others their durability and reliability. Further, the full port functionality ensures lowered friction loss in the pipeline.

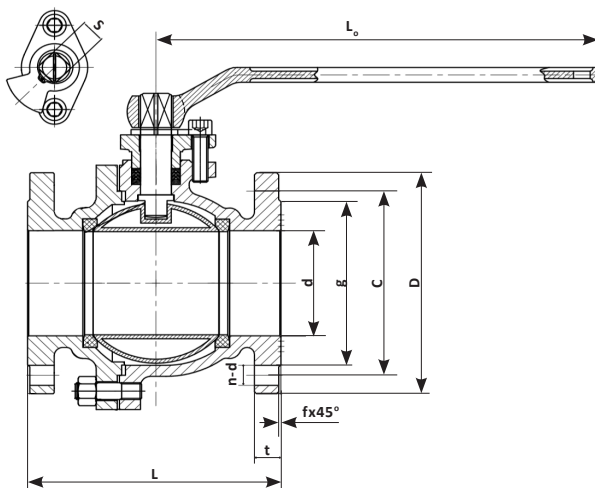
Besides, the ball valve ensures cost- and maintenance efficiency due to its long life span and performance.

The valve can be used for Water, Oil, and Steam.

Declaration

The product has been inspected and tested in accordance with the European PED Directive N° 2014/68/EU, dated 15/05/2014.

Dimensions



Product Information

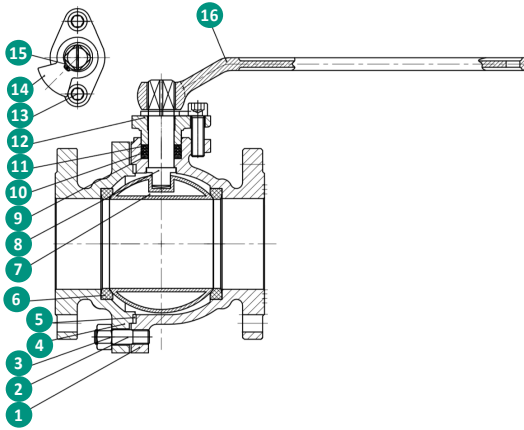
Product code	Size (DN)	L*	D*	c*	g*	d*	N-h*	t*	f*	H*	s*	L _h *	Kg
FBA065C16F215	65	170	185	145	122	65	4-Ø18	18	3	152	17	250	-
FBA080C16F215	80	180	200	160	138	80	8-Ø18	20	3	170	19	350	-
FBA100C16F215	100	190	220	180	158	100	8-Ø18	20	3	205	22	400	-
FBA125C16F215	125	325	250	210	188	125	8-Ø18	26	3	250	27	645	-
FBA150C16F215	150	350	285	240	212	150	8-Ø22	26	3	270	27	645	-
FBA200C16F215	200	400	340	295	268	200	12-Ø22	30	3	340	30	750	-
FBA250C16F215	250	450	405	355	320	250	12-Ø26	32	3	468	40	Gearbox	-
FBA300C16F215	300	500	460	410	370	300	12-Ø28	32	3	514	50	Gearbox	-

*Dimensions are in millimeters • L_h: Handle

FIVC Ball Valve

Grey Cast Iron – PN 16 – EN 1092-2

Product Specification



N°	Name	Material
1	Body	Grey Cast Iron GG25
2	Stud	35
3	Nut	Steel SS 400
4	Adapter Cap	Grey Cast Iron GG 25
5	Gasket body	Stainless Steel F304 + Graphite
6	Seat	PTFE
7	Ball	Stainless Steel 201 (<i>solid hollow ball</i>)
8	Stem	Stainless Steel 2Cr13
9	Packing	PTFE
10	Packing	PTFE
11	Packing	PTFE
12	Gland	Grey Cast Iron GG25
13	Hex bolt	35
14	Locator card	Steel SS 400
15	Flexible washer	65Mn
16	Handle	Ductile Iron EN-GJS-400-18