

FIVC Ball Valve

DZR Brass – PN 25/40 – Full Port – Extended T-handle – ISO 228



FBA series

Description

FIVC Ball Valve provides full port, hence implies less resistance in the flow. The valve is designed with extended stem and Female-Female connections and is suitable for several applications including heating, glycol, and industry. The valve is constructed in DZR Brass. Complete with a Temperature Sensor Port according to EN 1434-2. The valve can be used for water.

Technical data

Main features and materials

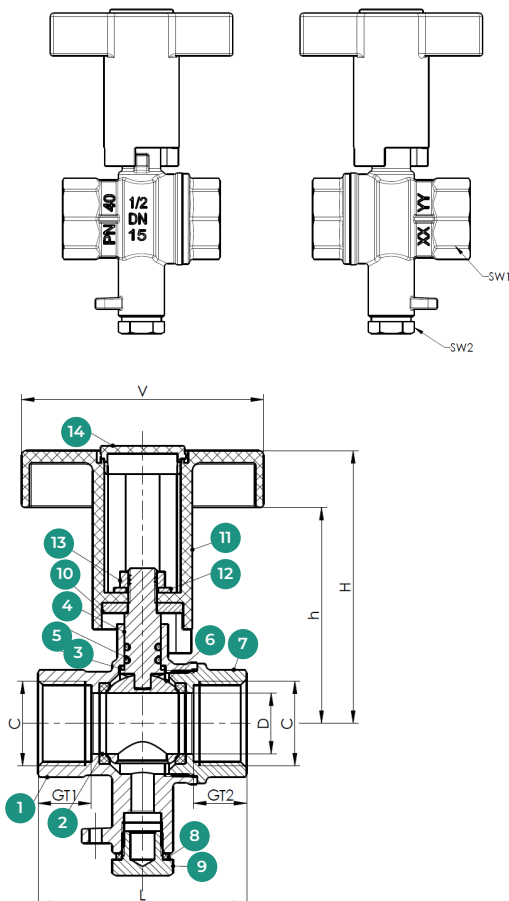
- Body: DZR Brass
- Stem: Brass
- Ball: Stainless Steel
- T-Lever: POM
- Standard: EN 13828
- Seat: PTFE
- USP: Extended T-handle
Dezincification resistant
Temperature sensor port

Field of applications

- Temperature range: -10 to 120 °C
- Max. working pressure: 40/25 bar
- Water
- HVAC
- Chilled Water

Declaration

The product has been inspected and tested in accordance with the Sound Engineering Practice SEP. Acc. to the European PED Directive N° 2014/68/EU, dated 15/05/2014, the product is exempted from CE marking (Cf. Art. 4.3).



| Product code | Size | PN | D | L | GT1 | GT2 |
|----------------|------|----|------|------|------|------|
| FBA015D40XT33P | 15 | 40 | 15.0 | 51.3 | 13.1 | 13.1 |
| FBA020D40XT33P | 20 | 40 | 20.0 | 57.5 | 13.5 | 13.5 |
| FBA025D40XT33P | 25 | 40 | 24.0 | 67.0 | 15.5 | 15.5 |
| FBA032D25XT33P | 32 | 25 | 32.0 | 81.0 | 16.8 | 16.8 |
| FBA040D25XT33P | 40 | 25 | 39.5 | 94.0 | 19.3 | 19.3 |
| FBA050D25XT33P | 50 | 25 | 50.0 | 112 | 22.0 | 22.0 |

| Product code | Size | V | h | H | SW1 | SW2 |
|----------------|------|------|------|------|------|-----|
| FBA015D40XT33P | 15 | 59.5 | 53.0 | 67.0 | 25.0 | 13 |
| FBA020D40XT33P | 20 | 59.5 | 56.5 | 70.5 | 31.0 | 13 |
| FBA025D40XT33P | 25 | 79.0 | 62.0 | 76.0 | 37.5 | 13 |
| FBA032D25XT33P | 32 | 79.5 | 69.5 | 83.5 | 47.0 | 13 |
| FBA040D25XT33P | 40 | 109 | 94.0 | 112 | 54.0 | 13 |
| FBA050D25XT33P | 50 | 109 | 106 | 124 | 66.0 | 13 |

Dimensions are in millimeters

Product Specification

| N° | Name | Material |
|----|---------------|--------------------------|
| 1 | Body | Brass CZ132 |
| 2 | Seats | PTFE |
| 3 | Thrust washer | PTFE |
| 4 | Stem | Brass |
| 5 | O-ring | Peroxid cured viton |
| 6 | Ball | Stainless Steel AISI 304 |
| 7 | Body cap | Brass CZ132 |
| 8 | Trust washer | PTFE |
| 9 | Cap | Brass |
| 10 | Torque plate | Steel |
| 11 | T-lever | POM |
| 12 | Washer | Steel |
| 13 | Flat nut | Steel |
| 14 | Cap | POM |