

FIVC Ball Valve

Nickel-plated Brass – PN 25 – Full Port – ISO 228-1



FBA series

Technical data

Main features and materials

- Body: Brass CW617N
- Bonnet: Brass CW617N
- Stem: Brass CW617N
- Ball: Brass C37700
- Lever handle: Steel
- Seat: PTFE
- USP: Long service life, lightweight, leak-proof isolation

Field of applications

- Temperature range:
 - DN 15-50: -20 to 90°C
 - DN 65-100: -20 to 120°C
- Max. working pressure:
 - DN 15-50: 25 bar
 - DN 65-100: 20 bar
- Industrial cold/hot water plants
- HVAC
- Plumbing
- Irrigation plants

Description

FIVC Ball Valve is designed to be installed in pipelines for the purpose of isolating and may be employed to regulate fluids as well. The advantages of using ball valves include quick and leak-proof flow isolation and minimum pressure loss, as the ball valve, when fully opened, does not provide an obstruction in the flow path. Additionally, the ball valve is a lightweight product, economical, and offer a long service life.

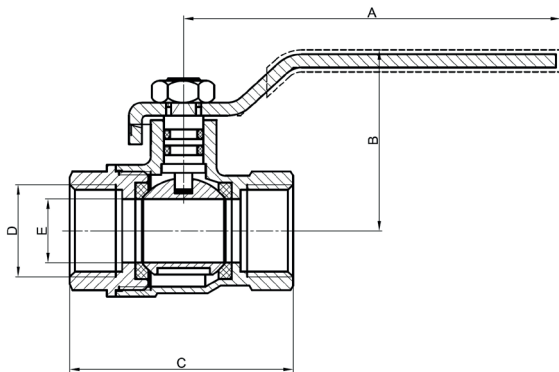
The valve is constructed in nickel-plated Brass and provides high tightness. The valve can be used for water.

Declaration

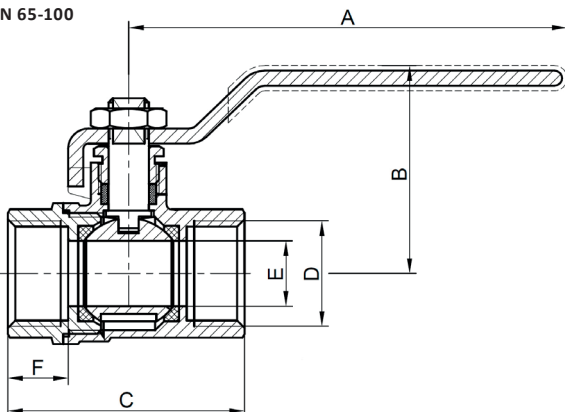
The product has been inspected and tested in accordance with the Sound Engineering Practice SEP. Acc. to the European PED Directive N° 2014/68/EU, dated 15/05/2014, the product is exempted from CE marking (Cf. Art. 4.3).

Dimensions

DN 15-50



DN 65-100



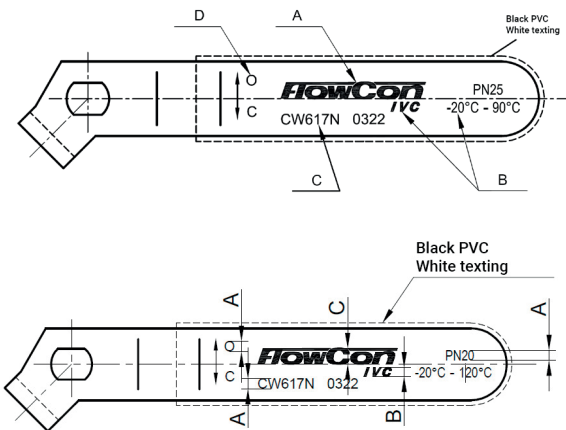
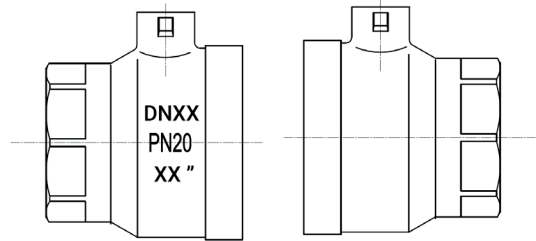
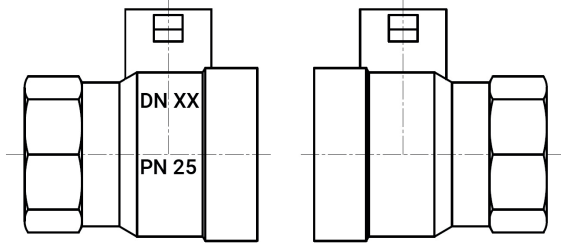
Product code	Size	A	B	C	D	E	Kg
FBA015H25F142	15	86	41.2	51	G 1 ½	Ø14.5	0.19
FBA020H25F142	20	105	46	57	G ¾	Ø19	0.27
FBA025H25F142	25	105	52	67	G 1	Ø24.5	0.42
FBA032H25F142	32	122	61	80	G 1 ¼	Ø32	0.70
FBA040H25F142	40	152	76	90.5	G ½	Ø40	1.00
FBA050H25F142	50	152	92	101	G 2	Ø49	1.41
FBA065H20F242	65	233	111	130	G 2 ½	Ø60.5	2.84
FBA080H20F242	80	233	121	147	G 3	Ø74	3.12
FBA100H20F242	100	233	139	185	G 4	Ø99	7.27

Dimensions are in millimeters

FIVC Ball Valve

Nickel-plated Brass – PN 25 – Full Port – ISO 228-1

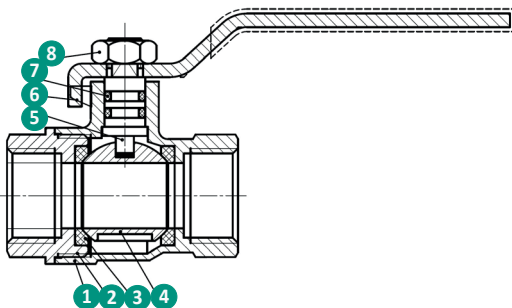
Product Information



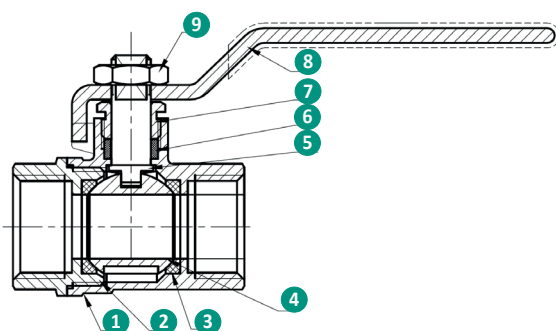
Product code	Size	A	B	C	D
FBA015H25F142	15	3	2	2	2
FBA020H25F142	20	3	2	2	2
FBA025H25F142	25	5	3	3	3
FBA032H25F142	32	5	3	3	3
FBA040H25F142	40	6	3.5	4	4
FBA050H25F142	50	6	3.5	4	4
FBA065H25F142	65	5	4	7	-
FBA080H25F142	80	5	4	7	-
FBA100H25F142	100	5	4	7	-

Dimensions are in millimeters

Product Specification



N°	Name	Material
1	Body	Brass CW617N - Nickel plated
2	Bonnet	Brass CW617N - Nickel plated
3	Seat	PTFE
4	Ball	Brass C37700 - Chrome plated
5	Stem	Brass CW617N - Nickel plated
6	Handle	Steel Q235A - Chrome plated
7	O-Rings	NBR
8	Nut	Steel Q235A



N°	Name	Material
1	Body	Brass CW617N - Nickel plated
2	Bonnet	Brass CW617N - Nickel plated
3	Seat	PTFE
4	Ball	Brass C37700 - Chrome plated
5	Stem	Brass CW617N - Nickel plated
6	Packing	PTFE
7	Packing nut	Brass C37700 - Nickel plated
8	Handle	Steel Q235A - Chrome plated
9	Nut	Steel Q235A