

FIVC Ball Valve

Ductile Iron – PN 25 – EN 1092-2



Technical data

Main features and materials

- Body: Ductile Iron
- Gasket: Stainless Steel + PTFE
- Ball: Stainless Steel
- Stem: Stainless Steel
- Handle: Carbon Steel
- USP: Compact settlement
- Shell pressure: 3.75 MPa
- Seat pressure water: 2.75 MPa
- Seat pressure air: 0.50 MPa
- Standard: DIN 2501/DIN 2533
API 598 OR ISO 5208

Field of applications

- Temperature range: -10 to 120 °C
- Max. working pressure: 25 bar

- Petrochemical industry
- Irrigation systems
- Mining and infrastructure industries
- Shipyard industry
- Compressed air
- Textile industry
- Mechanical industry
- Other various industries

FBA series

Description

The FIVC Ball Valve is designed as a quarter-turn, full port valve to be installed in pipelines for isolating purposes.

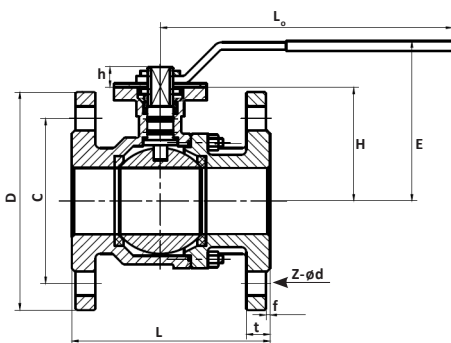
Benefits of using ball valves include among others their durability and reliability. Further, the full port functionality ensures lowered friction loss in the pipeline.

Besides, the ball valve ensures cost- and maintenance efficiency due to its long life span and performance. The valve can be used for Water, Oil, and Steam.

Declaration

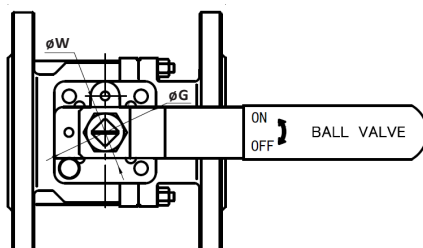
The product has been inspected and tested in accordance with the European PED Directive N° 2014/68/EU, dated 15/05/2014.

Dimensions



Product code	Size (DN)	L	t	C	Z-ød	øW	øG	h	D	f	H	E	L ₀	Kg
FBA015N25F215	15	115	14	65	4-14	F03	F04	9.5	95	2	50	80	130	2.4
FBA020N25F215	20	120	14	75	4-14	F03	F04	9.5	105	2	55	80	130	3
FBA025N25F215	25	125	16	85	4-14	F04	F05	11.5	115	2	60	90	170	4
FBA032N25F215	32	130	17	100	4-18	F04	F05	11.5	140	2	74	102	170	5
FBA040N25F215	40	140	18	110	4-18	F05	F07	15.5	150	3	78	110	220	7.5
FBA050N25F215	50	150	18	125	4-18	F05	F07	15.5	165	3	86	120	220	9.2
FBA065N25F215	65	170	20	145	4-18	F07	F10	18.5	185	3	98	140	284	13.5
FBA080N25F215	80	180	20	160	4-18	F07	F10	18.5	200	3	114	150	284	18

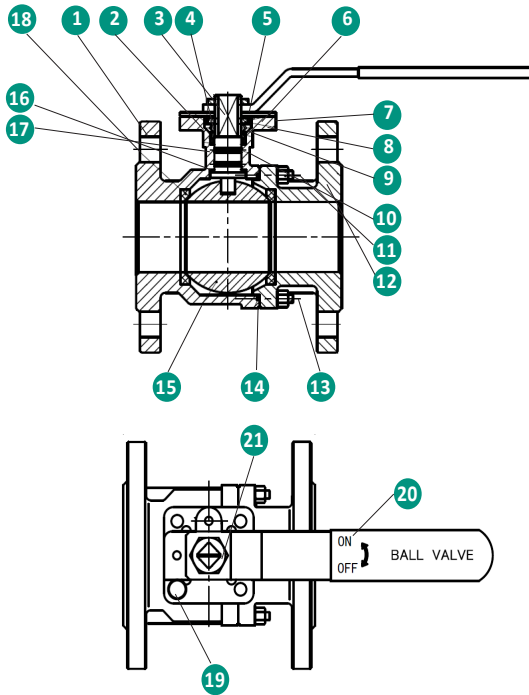
*Dimensions are in millimeters • L₀: Handle



FIVC Ball Valve

Ductile Iron – PN 25 – EN 1092-2

Product Specification



N°	Name	Material
1	Body	Ductile Iron GGG40
2	Butterfly washer	Stainless Steel 304
3	Mid-stem	Stainless Steel 304/316
4	Gasket	Stainless Steel 304
5	Handlever	Carbon steel
6	Fix-plate	Stainless Steel 304
7	Stop plate	Stainless Steel 304
8	Locking nut	Stainless Steel 304
9	Gland ring	Stainless Steel 304
10	O-ring	NBR
11	Nut	201
12	CAP	Ductile Iron GGG40
13	Stud bolt	201
14	Upper gasket	PTFE
15	Ball	316/304 ½" - 1.5" Solid ball 2" - 3" Hollow ball
16	Lower gasket	PTFE
17	Mid-gasket	PTFE
18	Ball seatring	PTFE + 15% Fiber Glass
19	Stop bolt	Stainless Steel 304
20	Handlever bushing	PVC
21	Nut	Stainless Steel 304