

# FIVC silent Check Valve

Grey Cast Iron – PN 16 – Wafer – EN 1092-2



FCH series

## Technical data

### Main features and materials

- Body: Grey Cast Iron
- Guide: Ductile Iron
- Disc: Ductile Iron
- Guiding stem: Copper Alloy
- Spring: Stainless Steel
- Seal: EPDM
- USP: Silent closing  
Allows installation in all positions  
Low head loss  
No maintenance

### Field of applications

- Temperature range: -10 to 120 °C
- Max. working pressure: 16 bar
- Petrochemical industry
- Irrigation systems
- Mining and infrastructure industries
- Shipyard industry
- Compressed air
- Low-pressure steam plants
- Mechanical industry
- Steam applications
- Hot and cold water plants
- Air conditioning systems

## Description

FIVC Silent Check Valve is designed as a single-direction device, which eliminates the return of pressurized fluid. Benefits of using a silent check valve is the valve's ability to close silently with help of its preloaded spring, preventing the water hammer phenomenon. Further, the valve ensures reliability without manual operation or energy performance. With its innovative construction, the valve features several

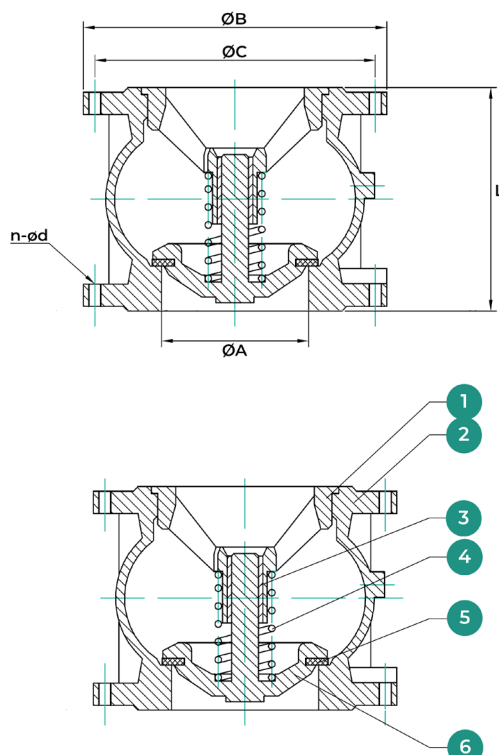
benefits and provides cost-, maintenance, and installation efficiency.

The valve can be used for water.

## Declaration

The product has been inspected and tested in accordance with the European PED Directive N° 2014/68/EU, dated 15/05/2014.

## Dimensions



## Product Information

Product code	Size (DN)	L*	A*	B*	C*	n- $\varnothing d^*$	Kg
FCH050C16SC220	50	100	50	165	125	4-18.5	-
FCH065C16SC220	65	120	65	185	145	4-18.5	-
FCH080C16SC220	80	140	80	200	160	8-18.5	-
FCH100C16SC220	100	170	101	220	180	8-18.5	-
FCH125C16SC220	125	200	127	250	210	8-18.5	-
FCH150C16SC220	150	230	145.5	285	240	8-23	-
FCH200C16SC220	200	301	194	340	295	12-23	-
FCH250C16SC220	250	370	245	405	355	12-28	-
FCH300C16SC220	300	410	300	460	410	12-28	-

\*Dimensions are in millimeters

## Product Specification

N°	Name	Material
1	Guide	Ductile Iron GGG 40 CuZn40Pb2
2	Body	Grey Cast Iron GG 25
3	Guiding stem	Copper Alloy CuZn40Pb2
4	Spring	Stainless Steel
5	Seal	EPDM
6	Disc	Ductile Iron GGG 40 CuZn40Pb2