

FIVC Foot Valve

Grey Cast Iron – PN 16 – Wafer – EN 1092-2



FFV series

Technical data

Main features and materials

- Body: Grey Cast Iron
- Guide: Ductile Iron
- Disc: Ductile Iron
- Guiding stem: Copper Alloy
- Spring: Stainless Steel
- Seal: EPDM
- Screen: Carbon Steel
- USP: Silent closing
Cost- and maintenance efficient
Low head loss

Field of applications

- Temperature range: -10 to 120 °C
- Max. working pressure: 16 bar

- Industrial Water
- Neutral fluids

Description

FIVC Foot Valve is designed as a type of check valve with a strainer used e.g. when water needs to be extracted from an underground well. The foot valve eliminates the return of pressurized fluid entering the water pump. Simultaneously, the foot valve collects, as well as prevents solid impurities from entering the pump, which could otherwise lead to improper pump functionality.

Benefits of using the foot valve include its protection to the most sensitive plant component, the pump, as well as elimi-

nating wastage of energy.

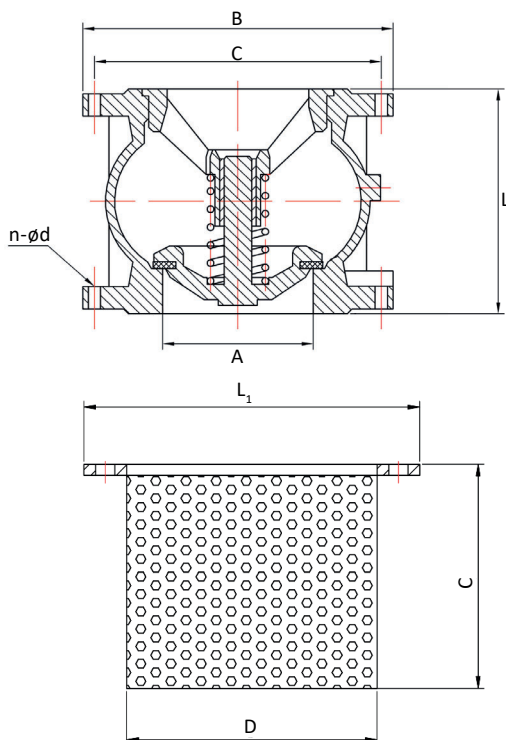
Further, the valve ensures reliability without manual operation or energy performance. With its innovative construction, the valve features several benefits and provides cost-, maintenance, and installation efficiency.

The valve can be used for Water.

Declaration

The product has been inspected and tested in accordance with the European PED Directive N° 2014/68/EU, dated 15/05/2014.

Dimensions



Product Information

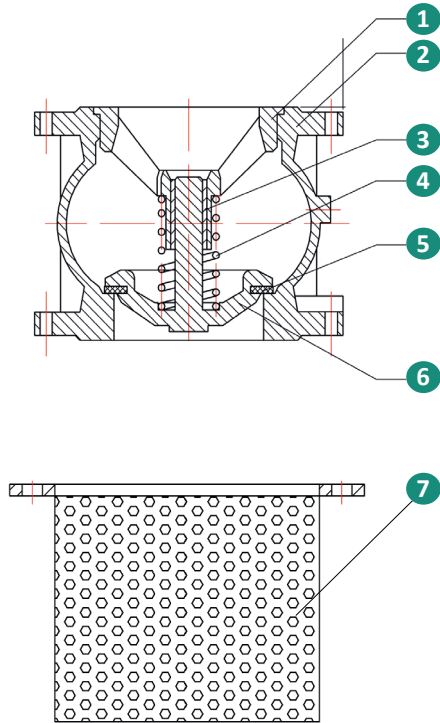
Product code	Size (DN)	L	A	B	C	n-ød	L ₁	C	D	Kg
FFV050C16SC220	50	100	50	165	125	4-18.5	156	80	111	-
FFV065C16SC220	65	120	65	185	145	4-18.5	176	100	131	-
FFV080C16SC220	80	140	80	200	160	8-18.5	192	120	148	-
FFV100C16SC220	100	170	101	220	180	8-18.5	212	150	168	-
FFV125C16SC220	125	200	127	250	210	8-18.5	242	175	198	-
FFV150C16SC220	150	230	145.5	285	240	8-23	275	200	222	-
FFV200C16SC220	200	301	194	340	295	12-23	332	250	278	-
FFV250C16SC220	250	370	245	405	355	12-28	385	300	329	-
FFV300C16SC220	300	410	300	460	410	12-28	445	350	384	-

Dimensions are in millimeters

FIVC Foot Valve

Grey Cast Iron – PN 16 – Wafer – EN 1092-2

Product Specification



N°	Name	Material
1	Guide	Ductile Iron GGG 40 CuZn40Pb2
2	Body	Grey Cast Iron GG 25
3	Guiding stem	Copper Alloy CuZn40Pb2
4	Spring	Stainless Steel
5	Seal	EPDM
6	Disc	Ductile Iron GGG 40 CuZn40Pb2
7	Screen	Carbon Steel Q235 Zinc-plated