

# FIVC Gate Valve

Brass – PN 16 – Screwed Bonnet – WRAS – Non Rising Stem – ISO 228



FGA series

## Technical data

### Main features and materials

- Body: Brass CW617N
- Bonnet: Brass CW617N
- Wedge: Brass CW617N
- Stem: Brass CW617N
- Seat: Integral seat
- Handwheel: HT 200
- Standard: BS EN 12288

### Field of applications

- Temperature range: WRAS-application: 0 to 85 °C  
Non-WRAS application: 0 to 120 °C
- Max. working pressure: 16 bar

- Water supply treatment systems
- HVAC
- Chemical, food & beverage industry
- Other various industries

## Description

FIVC Gate Valve is designed to be installed in pipelines only for isolating purposes.

Benefits of using gate valves include the feature of good closing along with the minimum pressure loss. Furthermore, the functionality of the valve prevents the water hammer phenomenon and is used for all types of applications - suitable for both above ground and underground installation. The valve can be used for water.

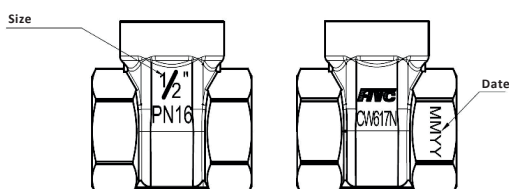
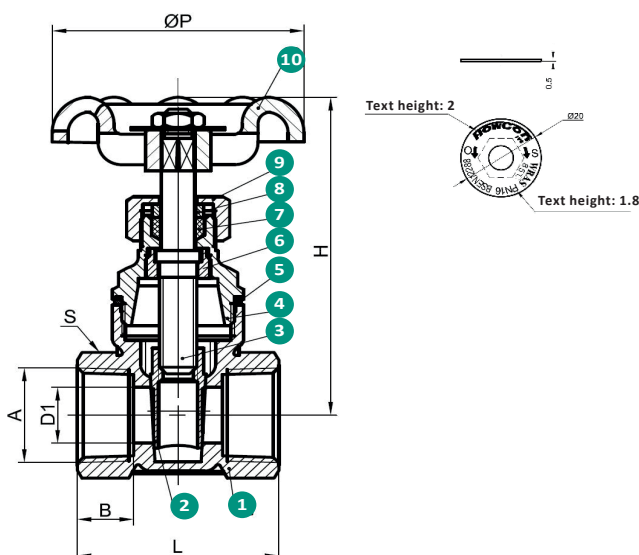
## Declaration

The product has been inspected and tested in accordance with the Sound Engineering Practice SEP.

Acc. to the European PED Directive N° 2014/68/EU, dated 15/05/2014, the product is exempted from CE marking (Cf. Art. 4.3).



## Dimensions



Product code	Size	L	H	D1 (Ø)	ØP	A	B	S
FGA015B16NS01	15	41	72	14	54	G1/2	12	25
FGA020B16NS01	20	43	74	15	54	G3/4	12	31
FGA025B16NS01	25	48	86	19.7	59.3	G1	15.4	38.5
FGA032B16NS01	32	59	105	27.5	73	G1 1/4	15	48.5
FGA040B16NS01	40	60	120	35	73	G1 1/2	16	53
FGA050B16NS01	50	67	138	45	79	G2	18.5	66

Dimensions are in millimeters

## Product Specification

N°	Name	Material
1	Body	Brass CW617N
2	Wedge	Brass CW617N
3	Stem	Brass CW617N
4	Bonnet	Brass CW617N
5	Bonnet washer	PTFE
6	Stem nut	Brass CW617N
7	Stem packing	PTFE
8	Packing gland	Brass CW617N
9	Compression nut	Brass C37700
10	Handwheel	HT 200