

FIVC Gate Valve

DZR Brass – PN 16 – Screwed Bonnet – Non Rising Stem – WRAS – ISO 228-1



FGA series

Technical data

Main features and materials

- Body: DZR CW602N
- Bonnet: DZR CW602N
- Wedge: DZR CW602N
- Stem: DZR CW602N
- Seat: Integral seat
- Handwheel: HT 200
- Standard: BS EN 12288
- USP: WRAS approval

Field of applications

- Temperature range: -10 to 85 °C
- Non-WRAS: -10 to 100 °C
- Max. working pressure: 16 bar
- Water supply treatment systems
- HVAC
- Other various industries

Description

FIVC Gate Valve is designed to be installed in pipelines only for isolating purposes.

Benefits of using gate valves include the feature of good closing along with the minimum pressure loss. Furthermore, the functionality of the valve prevents the water hammer phenomenon and is used for all types of applications - suitable for both above ground and underground installation. The valve can be used for water.

Declaration

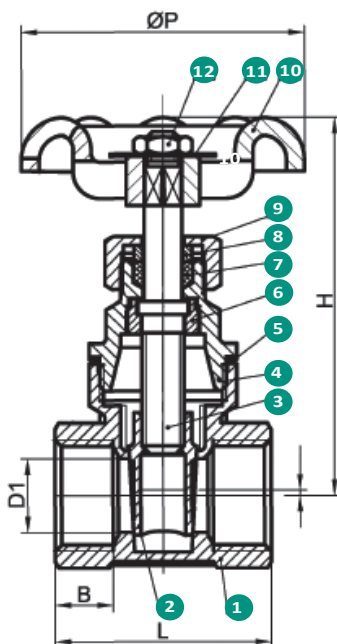
The product has been manufactured and tested in accordance with the Sound Engineering Practice SEP.

Acc. to the European PED Directive N° 2014/68/EU, dated 15/05/2014, the product is exempted from CE marking (Cf. Art. 4.3).

This valve is WRAS-approved.



Dimensions



Product code	Size	L	H	D1 (Ø)	ØP	B	Kg
FGA015D16NS42	15	41	72	14	54	12	0.245
FGA020D16NS42	20	43	74	15	54	12	0.290
FGA025D16NS42	25	48	86	19.7	59.3	14.5	0.410
FGA032D16NS42	32	59	105	27.5	80	15	0.710
FGA040D16NS42	40	60	120	35	80	16	0.860
FGA050D16NS42	50	67	138	45	80	18.5	1.300

Dimensions are in millimeters

Product Specification

N°	Name	Material
1	Body	DZR CW602N
2	Wedge	DZR CW602N
3	Stem	DZR CW602N
4	Bonnet	DZR CW602N
5	Bonnet washer	PTFE
6	Stem nut	DZR CW602N
7	Stem packing	PTFE
8	Packing gland	DZR CW602N
9	Compression nut	C37700
10	Hand wheel (black)	HT 200, Color: RAL9005
11	Nameplate (green)	ZL 102, Color: RAL 6016. Markings on nameplate: Silver color
12	Nut	SS 304