

# FIVC Gate Valve

Ductile Iron – PN 16 – Rising Stem – EN 1092-2



FGA series

## Technical data

### Main features and materials

• Body:	Ductile Iron	
• Bonnet:	Ductile Iron	
• Wedge:	Ductile Iron+EPDM	
• Stem:	Stainless Steel	
• Handwheel:	Ductile Iron	
• Coating:	Epoxy	
• Standard:	BS 5163	
• Dimensions:	EN 558-1	
• Testing:	BS EN 12266-1	
	Shell pressure:	2.40 MPa
	Seat pressure:	1.76 MPa

### Field of applications

- Temperature range: -10 to 100 °C
- Max. working pressure: 16 bar

- Water plants
- Irrigation systems
- HVAC
- Other various industries

## Description

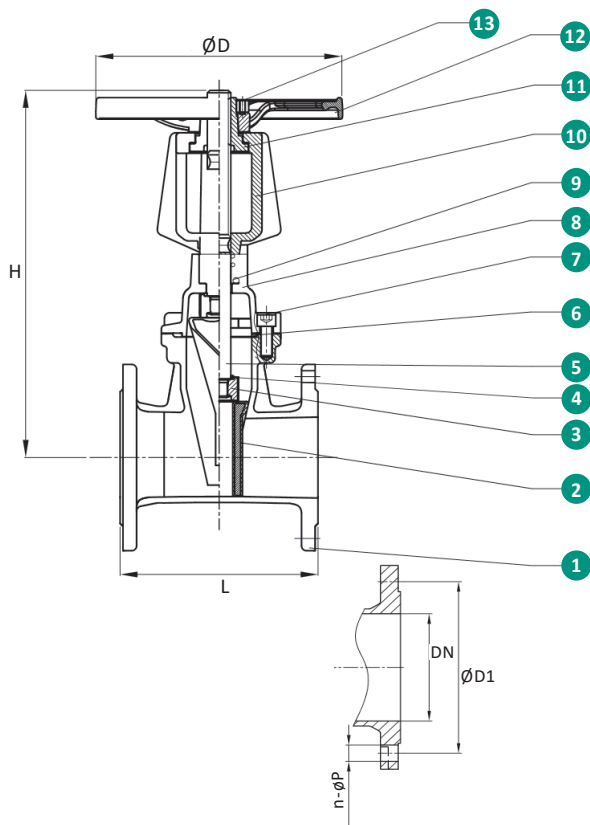
FIVC Gate Valve is designed to be installed in pipelines only for flow isolating purposes.

Benefits of using gate valves include the feature of good closing along with the minimum pressure loss. Furthermore, the functionality of the valve prevents the water hammer phenomenon and is used for all types of applications - suitable for both above ground and underground installation. The valve can be used for water.

## Declaration

The product has been manufactured and tested in accordance with the European PED Directive N° 2014/68/EU, dated 15/05/2014 and is CE marked.

## Dimensions



Product code	Size	L	D	H	Kg	D1	N-Ød
FGA050N16RB230	50	178	160	350	10.0	125	4-Ø19
FGA065N16RB230	65	190	160	380	11.5	145	4-Ø19
FGA080N16RB230	80	203	180	455	14.0	160	8-Ø19
FGA100N16RB230	100	229	200	548	20.0	180	8-Ø19
FGA125N16RB230	125	254	250	618	31.0	210	8-Ø19
FGA150N16RB230	150	267	250	747	36.5	240	8-Ø23
FGA200N16RB230	200	292	300	942	62.0	295	12-Ø23
FGA250N16RB230	250	330	350	1144	90.0	355	12-Ø28
FGA300N16RB230	300	356	400	1328	120	410	12-Ø28
FGA350N16RB230	350	381	500	1410	167	470	16-Ø28
FGA400N16RB230	400	406	500	1685	233	525	16-Ø31

Dimensions are in millimeters

N°	Name	Material
1	Body	Ductile Iron GGG40
2	Wedge	Ductile Iron GGG40 + EPDM
3	Stem Nut	Brass HMn58-2
4	O-Ring	EPDM
5	Stem	Stainless Steel SS420
6	Sealing ring	EPDM
7	Hexagon Bolt	Carbon Steel
8	Bonnet	Ductile Iron GGG40
9	Gasket	EPDM
10	Attachment Bracket	Ductile Iron GGG40
11	Handwheel Lock Nut	Brass HMn58-2
12	Handwheel	Ductile Iron GGG40
13	Hexagon Bolt	Carbon Steel