

FIVC Gate Valve

Bronze – PN 20 – Screwed Bonnet – Non Rising Stem – WRAS – ISO 228



FGA series

Technical data

Main features and materials

- Body: Bronze CC491K
- Bonnet: Bronze CC491K
- Disc: Bronze CC491K
- Stem: DZR Brass CW602N
- Seat: Integral seat
- Standard: BS EN 5154
- USP: WRAS approval

Field of applications

- Temperature range: -10 to 100 °C
7 bar at 170 °C
- Max. working pressure: 20 bar
- Potable water systems
- HVAC
- LTHW
- CHW
- Water distribution
- Oil distribution
- Steam applications

Description

FIVC Gate Valve is designed to be installed in pipelines only for isolating purposes.

Benefits of using gate valves include the feature of good closing along with the minimum pressure loss. Furthermore, the functionality of the valve prevents the water hammer phenomenon and is used for all types of applications - suitable for both above ground and underground installation.

The valve complies with BS EN 5154 and can be used for Water, Steam, and Oil respectively.

Alternative Product Versions

Other Standards

ANSI • ASME B1.20.1 • NPT
ISO 7/1 Rc/Rp threads

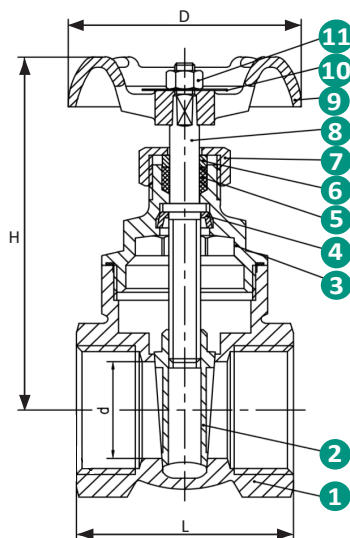
Declaration

The product has been inspected and tested in accordance with the Sound Engineering Practice SEP.

Acc. to the European PED Directive N° 2014/68/EU, dated 15/05/2014, the product is exempted from CE marking (Cf. Art. 4.3).

This valve is WRAS-approved.

Dimensions



Product code	Size	L	D	H	d	Kg
FGA015O20NS22	15	43	52	78	13	0.255
FGA020O20NS22	20	49	60	88	19	0.355
FGA025O20NS22	25	54	65	103	25	0.524
FGA032O20NS22	32	62	70	116	32	0.77
FGA040O20NS22	40	65	78	133	38	1.07
FGA050O20NS22	50	75	92	156	50	1.62

*Dimensions are in millimeters

Product Specification

N°	Name	Material
1	Body	Bronze CC491K BS EN 1982
2	Disc	Bronze CC491K BS EN 1982
3	Bonnet	Bronze CC491K BS EN 1982
4	Stem bush	DZR Brass CW602N BS EN 12164
5	Packing	PTFE
6	Ring	Brass CW614N BS EN 12164
7	Packing nut	Brass CW614N BS EN 12164
8	Stem	DZR Brass CW602N BS EN 12164
9	Handwheel	Aluminium - black coated RAL 9005
10	ID plate	Aluminium
11	Handwheel nut	Brass CW614N BS EN 12164