

FIVC Gate Valve

Bronze – PN 20 – Screwed Bonnet – Non Rising Stem – WRAS – ISO 228



FGA series

Technical data

Main features and materials

- Body: Bronze
- Bonnet: Bronze
- Disc: Bronze
- Stem: DZR Brass
- Seat: Integral seat
- Standard: BS 5154
- USP: WRAS approval

Field of applications

- Temperature range: -10 to 85 °C
- Non-WRAS: -10 to 100 °C
- Max. working pressure: 20 bar
7 bar at 170 °C

- Potable water systems
- HVAC
- LTHW
- Water distribution
- Oil distribution
- Steam applications

Description

FIVC Gate Valve is designed to be installed in pipelines only for isolating purposes.

Benefits of using gate valves include the feature of good closing along with the minimum pressure loss. Furthermore, the functionality of the valve prevents the water hammer phenomenon and is used for all types of applications - suitable for both above ground and underground installation.

The valve complies with BS 5154 and can be used for Water and Non-corrosive liquid.

Alternative Product Versions

Other Standards

ISO 7/1 Rc/Rp threads
MSS-SP-80

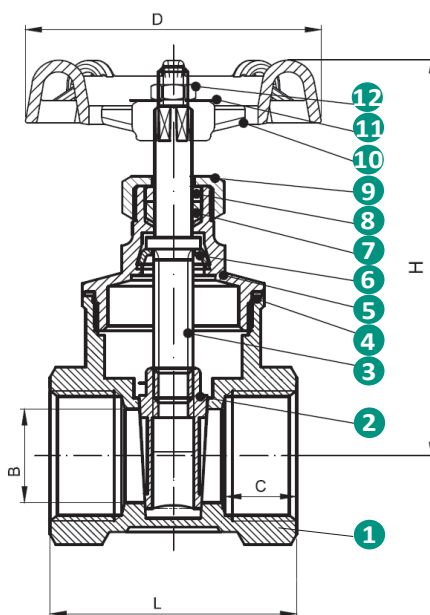
Declaration

The product has been manufactured and tested in accordance with the Sound Engineering Practice SEP.

Acc. to the European PED Directive N° 2014/68/EU, dated 15/05/2014, the product is exempted from CE marking (Cf. Art. 4.3).

This valve is WRAS-approved.

Dimensions



Product code	Size	L	D	H	B	C	Kg
FGA015020NS75	15	45.0	53	71.5	15	12.0	0.3
FGA020020NS75	20	48.5	60	81.0	20	12.5	0.4
FGA025020NS75	25	55.0	72	94.7	25	14.0	0.5
FGA032020NS75	32	61.0	72	108.0	32	15.0	0.8
FGA040020NS75	40	63.0	80	122.5	38	15.0	1.0
FGA050020NS75	50	73.0	100	147.0	50	17.5	1.7

*Dimensions are in millimeters

Product Specification

N°	Name	Material
1	Body	Bronze CC491K
2	Disc	Bronze CC491K
3	Stem	DZR CZ132A
4	Washer	PTFE
5	Bonnet	Bronze CC491K
6	Lock nut	Brass C38000
7	Packing	PTFE
8	Gland	Brass C38000
9	Packing nut	Brass CW617N
10	Hand wheel	HT 200
11	Nameplate	L2
12	Hex nut	Stainless Steel 304