

FIVC Gate Valve

Bronze – PN 20 – Screwed Bonnet – Rising Stem – ISO 228



FGA series

Technical data

Main features and materials

- Body: Bronze CC491K
- Bonnet: Bronze CC491K
- Wedge: Bronze CC491K
- Stem: DZR Brass CW602N
- Seat: Integral seat
- Dimensions: BS 5154

Field of applications

- Temperature range: -10 to 100 °C
7 bar at 170 °C
- Max. working pressure: 20 bar
- HVAC
- LTHW
- CHW
- Water distribution
- Oil distribution
- Steam applications

Description

FIVC Gate Valve is designed to be installed in pipelines only for isolating purposes.

Benefits of using gate valves include the feature of good closing along with the minimum pressure loss.

Furthermore, the functionality of the valve prevents the water hammer phenomenon and is used for all types of applications - suitable for both above ground and underground installation. The valve complies with BS 5154 and can be used for Water, Steam, and Oil respectively.

Alternative Product Versions

Other Standards

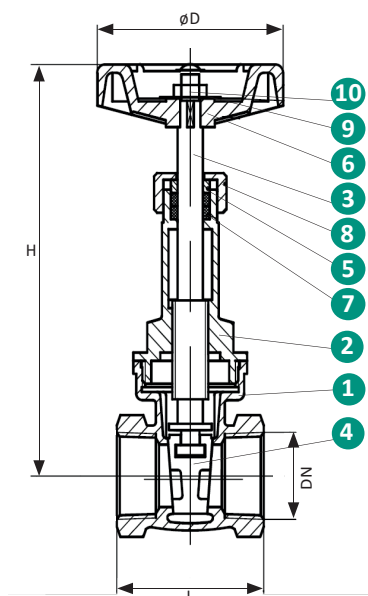
ANSI • ASME B1.20.1 • NPT
ISO 7/1 threads

Declaration

The product has been inspected and tested in accordance with the Sound Engineering Practice SEP.

Acc. to the European PED Directive N° 2014/68/EU, dated 15/05/2014, the product is exempted from CE marking (Cf. Art. 4.3).

Dimensions



Product code	Size	L	H	D	Kg
FGA015O20RS21	15	43	112	55	0.37
FGA020O20RS21	20	49	125	63	0.56
FGA025O20RS21	25	54	143	70	0.84
FGA032O20RS21	32	62	170	70	1.07
FGA040O20RS21	40	65	198	80	1.43
FGA050O20RS21	50	75	233	90	1.97

Dimensions are in millimeters

Product Specification

N°	Name	Material
1	Body	Bronze CC491K BS EN 1982
2	Bonnet	Bronze CC491K BS EN 1982
3	Stem	DZR Brass CW602N BS EN 12164
4	Disc	Bronze CC491K BS EN 1982
5	Stem bush	DZR Brass CW602N BS EN 12164
6	Packing	PTFE
7	Packing nut	Brass CW614N BS EN 12164
8	ID Plate	Aluminium
9	Handwheel nut	Brass CW614N BS EN 12164
10	Handwheel	Aluminium